

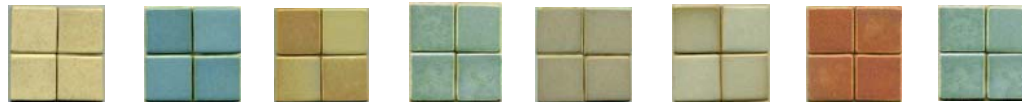
# Renaissance

## Burnished

All colors available in 2x2 4x4 3x6 6x6 and 3x6 Rhomboid



Thatch Green Burnished 6x6    Oak Moss Burnished 6x6    Coffee Brown Burnished 6x6    Terra Brown Burnished 6x6    Terracotta Burnished 6x6 Beveled    Golden Leather Burnished 6x6    Old Bronze Burnished 6x6



Beige Burnished 2x2    Blue Burnished 2x2    Curry Burnished 2x2    Green Burnished 2x2    Tan Burnished 2x2    Oyster Burnished 2x2    Terracotta Burnished 2x2    Laguna Burnished 2x2

## Gloss

All colors available in 2x2 4x4 3x6 6x6 and 3x6 Rhomboid



Cendre Blue Gloss 2x2    Hint of Lilac Gloss 2x2    Laguna Gloss 2x2    Spring Gloss 2x2    Curry Gloss 2x2    Tan Gloss 2x2    Beige Gloss 2x2



Terracotta Gloss 2x2    Creme Gloss 2x2    Pearl White I Gloss 2x2    Pearl White II Gloss 2x2    Oyster Grey Gloss 2x2    Black Gloss 2x2    Pink Gloss 2x2

## Crackled

All colors available in 2x2 4x4 3x6 6x6 and 3x6 Rhomboid



White Jade Crackled 6x6    Honeydew Crackled 6x6    Kiwi Crackled 6x6    Springtime Crackled 6x6    Raindrop Crackled 6x6    Baize Green Crackled 6x6    Rye Grass Crackled 6x6



Olive Branch Crackled 6x6    Mocha Crackled 6x6    Coral Crackled 6x6    Sundance Crackled 6x6    Ice Crackled 6x6    Bone Crackled 6x6

## Matte

All colors available in 2x2 4x4 3x6 6x6 and 3x6 Rhomboid



Spring Matte 2x2    Misty Gray Matte 2x2    Pearl Matte 6x6    Ocean Blue Matte 2x2    Evening Blue Matte 2x2    Forest Green Matte 2x2    Sunflower Matte 2x2    Sand Beige Matte 2x2    Dover Matte 2x2    Blush Beige Matte 2x2    Sand Matte 2x2

Decorative and Molding tiles available in all colors



Green Burnished Deco R16 3x8    Green Burnished Deco R8 6x6



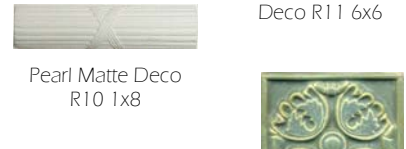
Green Burnished Deco R7 3x8    Green Burnished Deco R3 6x6



Terracotta Burnished Deco R1 1x8    Green Burnished Deco R3 6x6



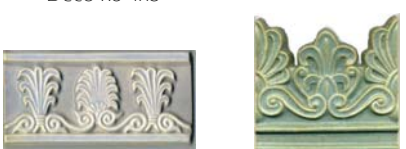
Laguna Gloss Deco R15 3x6    Green Burnished Deco R11 6x6



Pearl Matte Deco R10 1x8    Green Burnished Deco R12 6x6



Laguna Gloss Deco R6 4x8    Green Burnished Deco R4 6x6



Hint of Lilac Gloss Deco R13 4x8    Green Burnished Deco R4 6x6



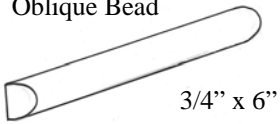
Wainscot Trim 3x8 (corner piece available)

Wainscot Trim 2x6 (corner piece available)

See back of catalog for other trim pieces available and additional information

## Trim Shapes

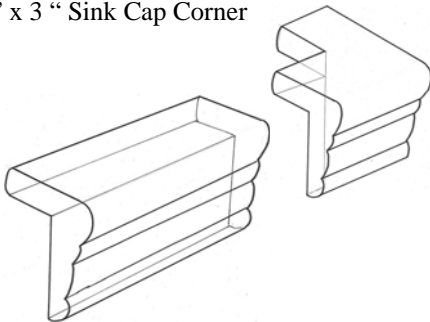
Oblique Bead



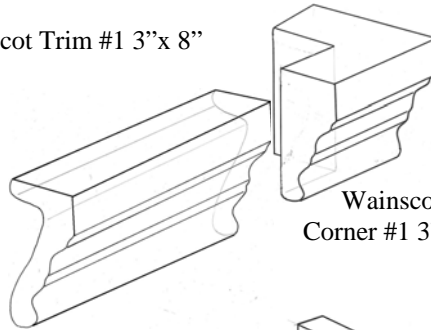
1" x 4" or 6" 1/4 Round and  
1" x 1" 1/4 Round Corner



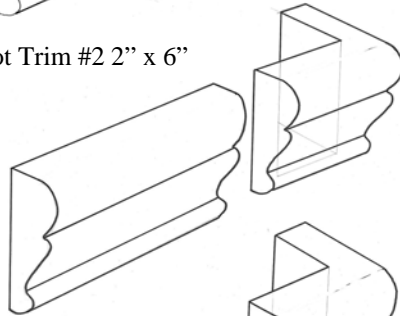
3" x 7" Sink Cap and  
3" x 3" Sink Cap Corner



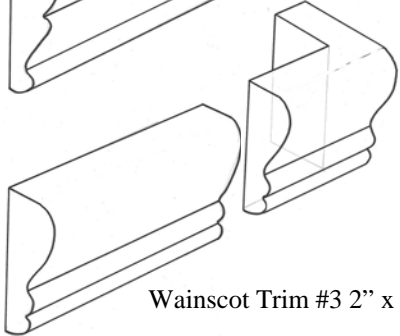
Wainscot Trim #1 3" x 8"



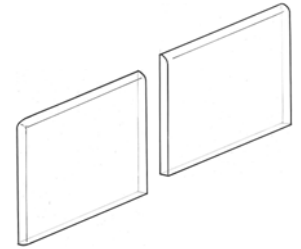
Wainscot Trim #2 2" x 6"



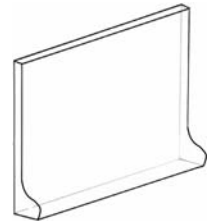
Wainscot Trim #3 2" x 6"



6" x 6" or 4" x 4" Double Surface  
Bullnose and Surface Bullnose



4" x 6" Cove Base



## Tile Sizes

2"x2" 4"x4" 3"x6" 6"x6" and 3"x6" Rhomboid

If you do not see the size or trim piece you need give us a call.

### Tips and Information

These handmade tiles have a very wide natural color range. Mix all boxes before installation.  
High gloss colors scratch easily

#### **Grouting** - use a sanded modified polymer grout

Clean tile immediately with clean water and remove any grout residue. Do not leave grout in recesses of decorative tile.

#### **Final Cleanup** - use a commercial grout residue remover

If a grout haze remains after tile and grout are thoroughly dry - several days - purchase a grout haze removal product  
Carefully follow the manufacturers directions.

#### **Sealing** Recommended for Crackled Tile - use a commercial grout and tile sealer

Sealing the grout will help maintain the color and make cleaning easier.

**Always use premium quality products and refer to the manufacturers directions.**

ICT, Inc.

ictusa@ictmexico.com

www.ictmexico.com

512 285 5841